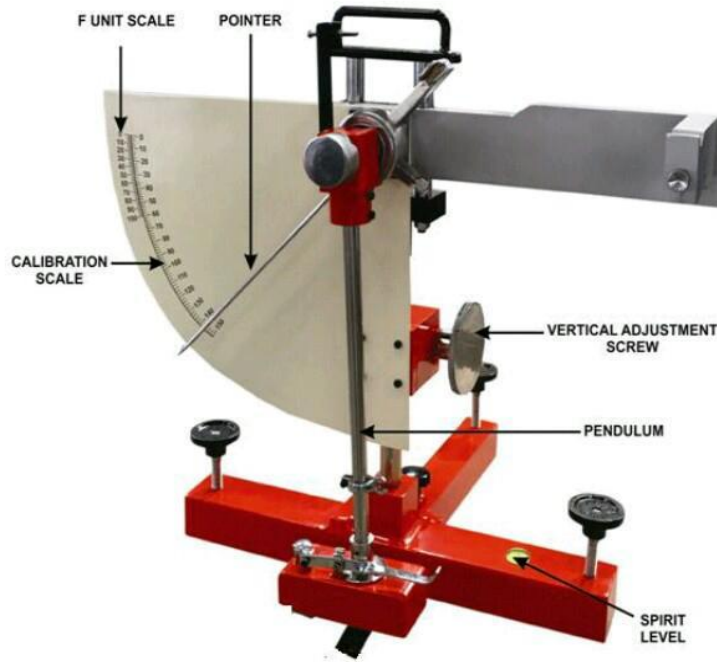


COEFFECIENT OF FRICTION TESTER **(PENDULUM METHOD)**



Key Specifications:-

Display	Analogue
Portable	Yes
Force applied by pendulum	22N
Rubber Hardness	76±5 Shor hardness unit
Graduated Scale	0 to 150
Scale material	SS 304
Stand material	Mild steel
Finish	Blue Powder Coated
Sprit leveller	Yes